

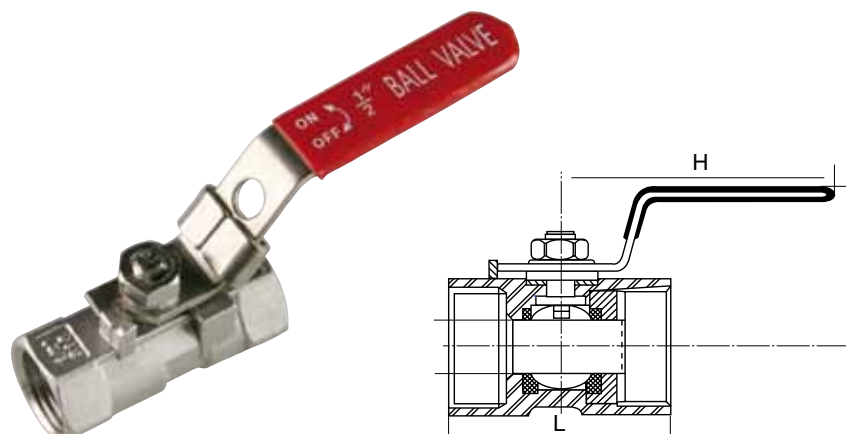
Perfektion in Edelstahl und Stahl!



Gewindefittings
Schneidringverschraubungen
Armaturen
Schweißfittings
Rohrschellen
Schlauschellen
Rohre
Flansche
Getränkerohrfittings
Tempergußfittings
Profile
Sonderdrehteile

300 Muffenkugelhahn 1tlg. Gewinde / 1-Piece Ball Valve

Werkstoff 1.4408 / Dichtung: PTFE / P = 64 bar

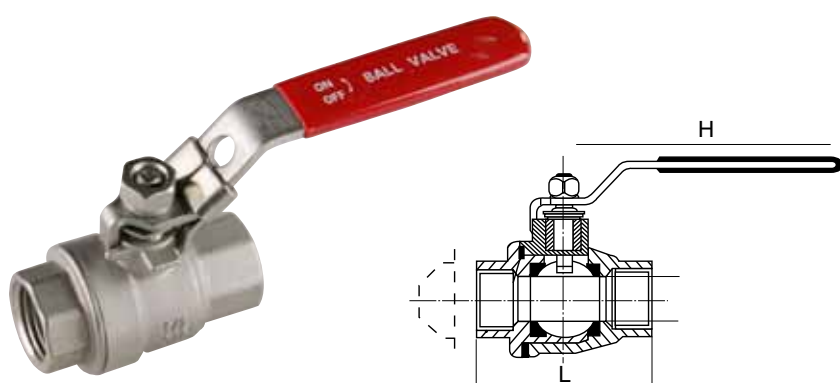


Automatisierte Armaturen auf Anfrage

| Abmessung | NW | L mm | H mm |
|-----------|----|-------|------|
| 1/4" | 8 | 39,0 | 35,0 |
| 3/8" | 10 | 44,0 | 37,0 |
| 1/2" | 15 | 56,5 | 43,5 |
| 3/4" | 20 | 58,0 | 47,0 |
| 1" | 25 | 71,0 | 50,0 |
| 1 1/4" | 32 | 78,0 | 57,0 |
| 1 1/2" | 40 | 83,0 | 69,0 |
| 2" | 50 | 100,0 | 74,5 |

300 F Muffenkugelhahn 2tlg. Gewinde / 2-Piece Ball Valve

Werkstoff 1.4408 / Dichtung: PTFE / P = 64 bar

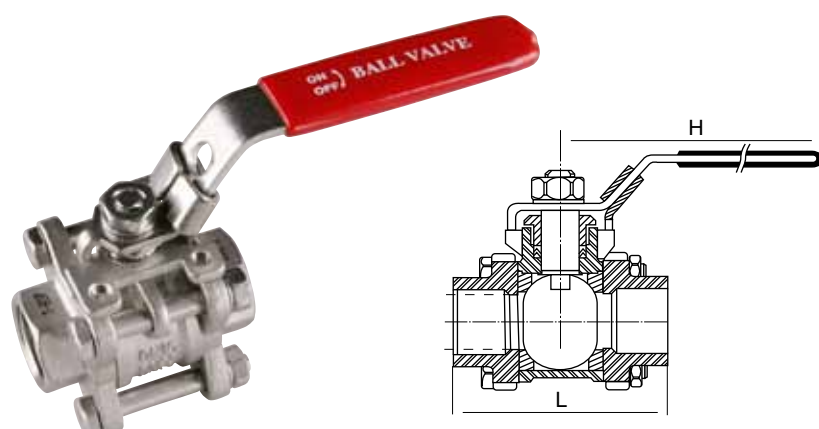


Automatisierte Armaturen auf Anfrage

| Abmessung | NW | L mm | H mm |
|-----------|-----|-------|-------|
| 1/4" | 8 | 52,0 | 48,0 |
| 3/8" | 10 | 52,0 | 48,0 |
| 1/2" | 15 | 60,0 | 49,0 |
| 3/4" | 20 | 70,0 | 55,0 |
| 1" | 25 | 83,0 | 69,0 |
| 1 1/4" | 32 | 97,0 | 77,0 |
| 1 1/2" | 40 | 108,0 | 84,0 |
| 2" | 50 | 135,0 | 93,0 |
| 2 1/2" | 65 | 158,0 | 138,0 |
| 3" | 80 | 185,0 | 149,0 |
| 4" | 100 | 232,0 | 172,0 |

352 G Muffenkugelhahn 3tlg. Gewinde / 3-Piece Ball Valve

Werkstoff 1.4408 / Dichtung: PTFE / P = 64 bar



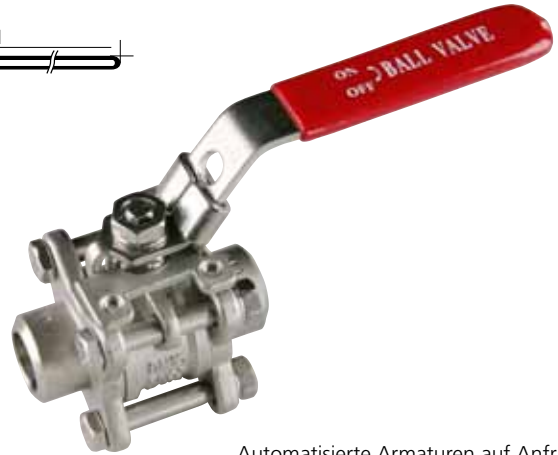
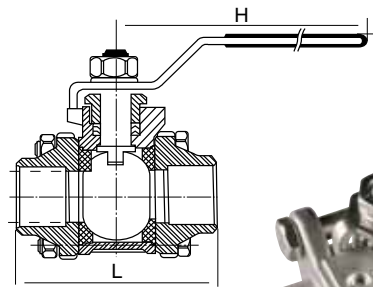
Automatisierte Armaturen auf Anfrage

| Abmessung | NW | L mm | H mm |
|-----------|-----|-------|-------|
| 1/4" | 8 | 59,0 | 51,0 |
| 3/8" | 10 | 59,0 | 51,0 |
| 1/2" | 15 | 64,0 | 55,0 |
| 3/4" | 20 | 75,0 | 59,0 |
| 1" | 25 | 86,0 | 73,0 |
| 1 1/4" | 32 | 99,0 | 78,0 |
| 1 1/2" | 40 | 113,0 | 91,0 |
| 2" | 50 | 132,0 | 99,0 |
| 2 1/2" | 65 | 180,0 | 130,0 |
| 3" | 80 | 206,0 | 142,0 |
| 4" | 100 | 261,0 | 174,0 |

| Abmessung | NW | L mm | H mm |
|-----------|-----|-------|-------|
| 1/4" | 8 | 59,0 | 51,0 |
| 3/8" | 10 | 59,0 | 51,0 |
| 1/2" | 15 | 64,0 | 55,0 |
| 3/4" | 20 | 75,0 | 59,0 |
| 1" | 25 | 86,0 | 73,0 |
| 1 1/4" | 32 | 99,0 | 78,0 |
| 1 1/2" | 40 | 113,0 | 91,0 |
| 2" | 50 | 132,0 | 99,0 |
| 2 1/2" | 65 | 180,0 | 130,0 |
| 3" | 80 | 206,0 | 142,0 |
| 4" | 100 | 261,0 | 174,0 |

352 S Kugelhahn 3tlg. mit Schweißenden / 3-Piece Ball Valve

Werkstoff 1.4408 / Dichtung: PTFE / P = 64 bar

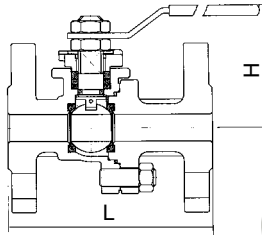


Automatisierte Armaturen auf Anfrage

| Abmessung | NW | L mm | H mm |
|-----------|-----|-------|-------|
| 1/2" | 15 | 115,0 | 66,0 |
| 3/4" | 20 | 120,0 | 74,0 |
| 1" | 25 | 125,0 | 87,0 |
| 1 1/4" | 32 | 130,0 | 92,0 |
| 1 1/2" | 40 | 140,0 | 105,0 |
| 2" | 50 | 150,0 | 115,0 |
| 2 1/2" | 65 | 170,0 | 153,0 |
| 3" | 80 | 180,0 | 162,0 |
| 4" | 100 | 190,0 | 179,0 |

352 F4 Flanschkugelhahn 2tlg Baulänge F4 / 2-Piece Ball Valve

Werkstoff 1.4408 / Dichtung: PTFE

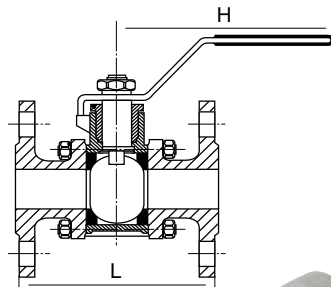


Automatisierte Armaturen auf Anfrage

| Abmessung | NW | L mm | H mm |
|-----------|-----|-------|-------|
| 1/2" | 15 | 130,0 | 79,0 |
| 3/4" | 20 | 150,0 | 84,0 |
| 1" | 25 | 160,0 | 100,0 |
| 1 1/4" | 32 | 180,0 | 105,0 |
| 1 1/2" | 40 | 200,0 | 115,0 |
| 2" | 50 | 230,0 | 124,0 |
| 2 1/2" | 65 | 290,0 | 165,0 |
| 3" | 80 | 310,0 | 177,0 |
| 4" | 100 | 350,0 | 203,0 |

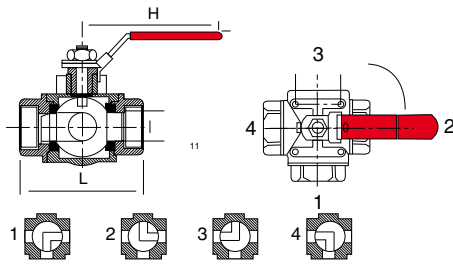
352 F1 Flanschkugelhahn 3tlg Baulänge F1 / 3-Piece Ball Valve

Werkstoff 1.4408 / Dichtung: PTFE



353 L 3 Wege Muffenkugelhahn -L-Bohrung / 3 Way Ball Valve

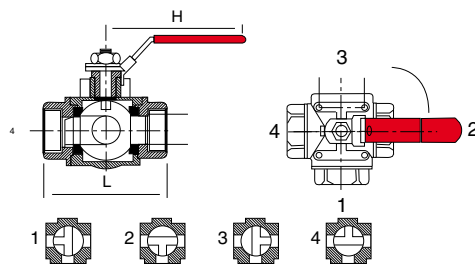
Werkstoff 1.4408 / Dichtung: PTFE



| Abmessung | NW | L mm | H mm |
|------------------|----|-------|------|
| L-Bohrung | | | |
| 1/4" | 8 | 79,0 | 63,0 |
| 3/8" | 10 | 64,0 | 53,0 |
| 1/2" | 15 | 64,0 | 53,0 |
| 3/4" | 20 | 76,0 | 63,0 |
| 1" | 25 | 87,0 | 66,0 |
| 1 1/4" | 32 | 87,0 | 81,0 |
| 1 1/2" | 40 | 96,0 | 83,0 |
| 2" | 50 | 142,0 | 96,0 |

353 T 3 Wege Muffenkugelhahn -T-Bohrung / 3 Way Ball Valve

Werkstoff 1.4408 / Dichtung: PTFE

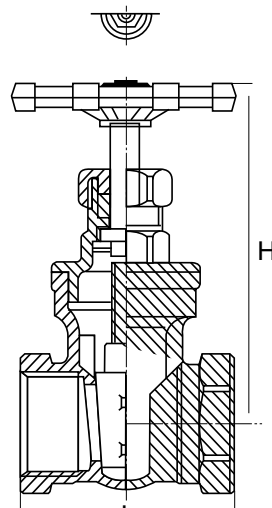


| Abmessung | NW | L mm | H mm |
|------------------|----|-------|-------|
| T-Bohrung | | | |
| 1/4" | 8 | 79,0 | 63,0 |
| 3/8" | 10 | 75,0 | 59,0 |
| 1/2" | 15 | 75,0 | 59,0 |
| 3/4" | 20 | 85,0 | 64,0 |
| 1" | 25 | 100,0 | 80,0 |
| 1 1/4" | 32 | 115,0 | 95,0 |
| 1 1/2" | 40 | 125,0 | 96,0 |
| 2" | 50 | 148,0 | 106,0 |



354 Muffenschieber / Gate Valve

Werkstoff 1.4408 / Temp. 200°C

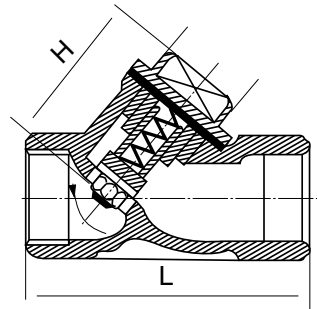


| Abmessung | NW | L mm | H mm |
|-----------|----|------|-------|
| 3/8" | 10 | 54,0 | 52,0 |
| 1/2" | 15 | 57,0 | 98,0 |
| 3/4" | 20 | 60,5 | 104,0 |
| 1" | 25 | 67,0 | 115,0 |
| 1 1/4" | 32 | 76,0 | 127,0 |
| 1 1/2" | 40 | 87,0 | 172,0 |
| 2" | 50 | 95,0 | 189,0 |

| Abmessung | NW | L mm | H mm |
|-----------|----|-------|------|
| 1/4" | 8 | 65,0 | 46,0 |
| 3/8" | 10 | 65,0 | 46,0 |
| 1/2" | 15 | 65,0 | 46,0 |
| 3/4" | 20 | 80,0 | 58,0 |
| 1" | 25 | 90,0 | 69,0 |
| 1 1/4" | 32 | 105,0 | 75,0 |
| 1 1/2" | 40 | 120,0 | 85,0 |
| 2" | 50 | 140,0 | 98,0 |

355 Rückschlagventil / Piston Check Valves

Werkstoff 1.4408 / Temp. 180°C



| Abmessung | NW | L |
|-----------|-----|------|
| 1/2" | 15 | 16 |
| 3/4" | 20 | 19 |
| 1" | 25 | 22 |
| 1 1/4" | 32 | 28 |
| 1 1/2" | 40 | 31,5 |
| 2" | 50 | 40 |
| 2 1/2" | 65 | 46 |
| 3" | 80 | 50 |
| 4" | 100 | 60 |

355 F Zwischenflansch Rückschlagventil / Disc Check Valves

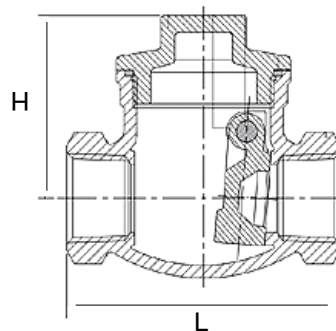
Werkstoff 1.4408 PN 40



| Abmessung | NW | L mm | H mm |
|-----------|----|-------|------|
| 1/2" | 15 | 66,0 | 46,0 |
| 3/4" | 20 | 81,0 | 54,0 |
| 1" | 25 | 91,0 | 60,0 |
| 1 1/4" | 32 | 106,5 | 72,0 |
| 1 1/2" | 40 | 121,0 | 75,0 |
| 2" | 50 | 142,0 | 82,0 |

356 Rückschlagklappe / Swing Check Valves

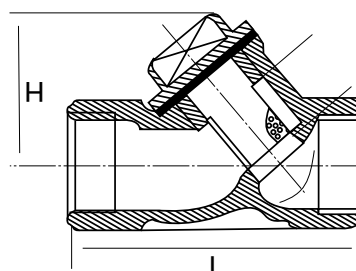
Werkstoff 1.4408 / Temp. 200°C



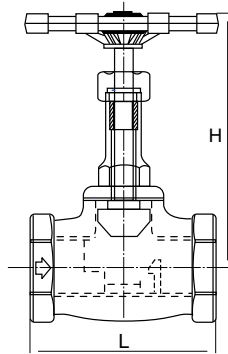
| Abmessung | NW | L mm | H mm |
|-----------|----|-------|------|
| 1/4" | 8 | 57,0 | 30,0 |
| 3/8" | 10 | 57,0 | 30,0 |
| 1/2" | 15 | 61,0 | 34,0 |
| 3/4" | 20 | 70,0 | 39,0 |
| 1" | 25 | 86,0 | 42,0 |
| 1 1/4" | 32 | 100,0 | 50,0 |
| 1 1/2" | 40 | 111,0 | 57,0 |
| 2" | 50 | 138,0 | 70,0 |

357 Schmutzfänger / Y-Strainer

Werkstoff 1.4408

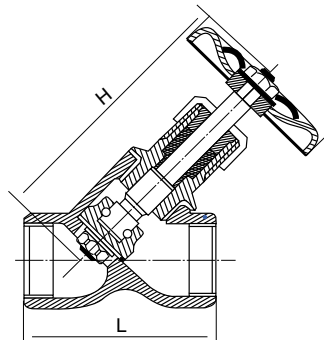


358 Muffenabsperrentil Geradsitzform / Globe Valve
Werkstoff 1.4408 / Temp. 180°C



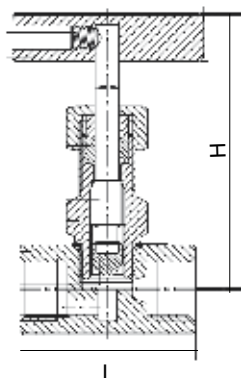
| Abmessung | NW | L mm | H mm |
|-----------|----|-------|-------|
| 1/2" | 15 | 66,0 | 89,4 |
| 3/4" | 20 | 68,5 | 89,2 |
| 1" | 25 | 78,3 | 92,5 |
| 1 1/4" | 32 | 86,0 | 118,0 |
| 1 1/2" | 40 | 98,0 | 117,0 |
| 2" | 50 | 110,5 | 142,0 |

358 S Muffenabsperrentil Schrägsitzform / Shut-off Valve
Werkstoff 1.4408 / Temp. 200°C



| Abmessung | NW | L mm | H mm |
|-----------|----|-------|-------|
| 1/4" | 8 | 65,0 | 107,0 |
| 3/8" | 10 | 65,0 | 107,0 |
| 1/2" | 15 | 65,0 | 107,0 |
| 3/4" | 20 | 80,0 | 122,0 |
| 1" | 25 | 90,0 | 142,0 |
| 1 1/4" | 32 | 105,0 | 155,0 |
| 1 1/2" | 40 | 120,0 | 175,0 |
| 2" | 50 | 140,0 | 195,0 |

359 Nadelventil / Needle Valves
Werkstoff 1.4408 / Werkst.-Druck: Gehäuse 400 bar



| Abmessung | NW | L mm | H mm |
|-----------|----|------|-------|
| 1/4" | 8 | 45,0 | 80,0 |
| 3/8" | 10 | 50,0 | 85,0 |
| 1/2" | 15 | 60,0 | 110,0 |
| 3/4" | 20 | 65,0 | 115,0 |
| 1" | 25 | 83,0 | 129,0 |